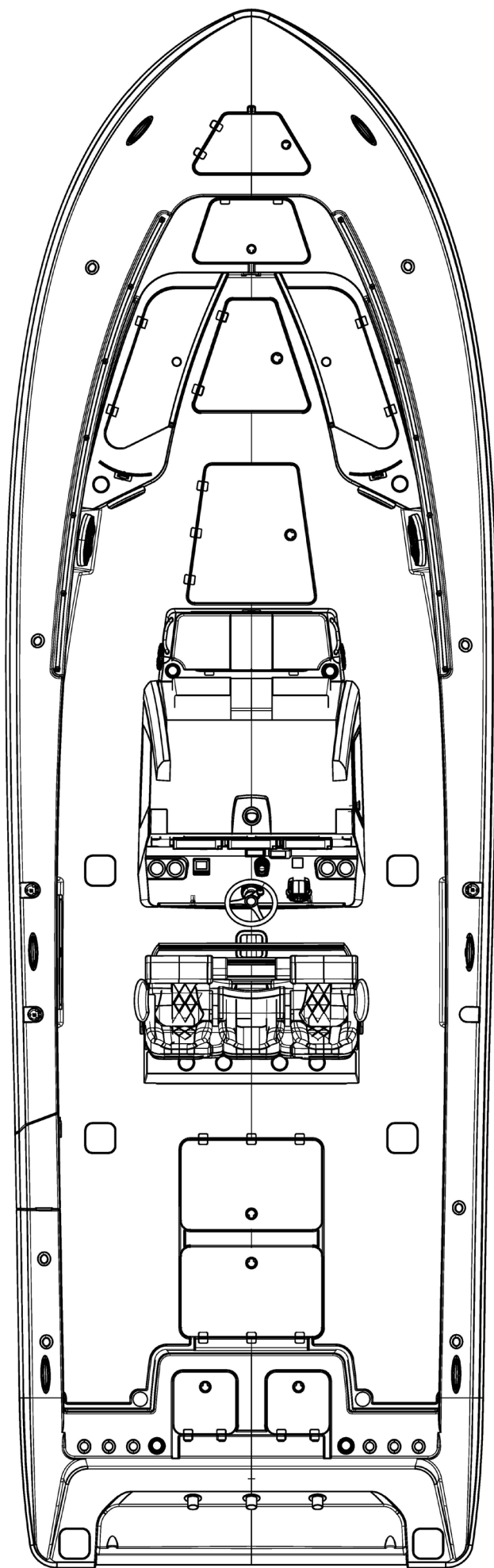
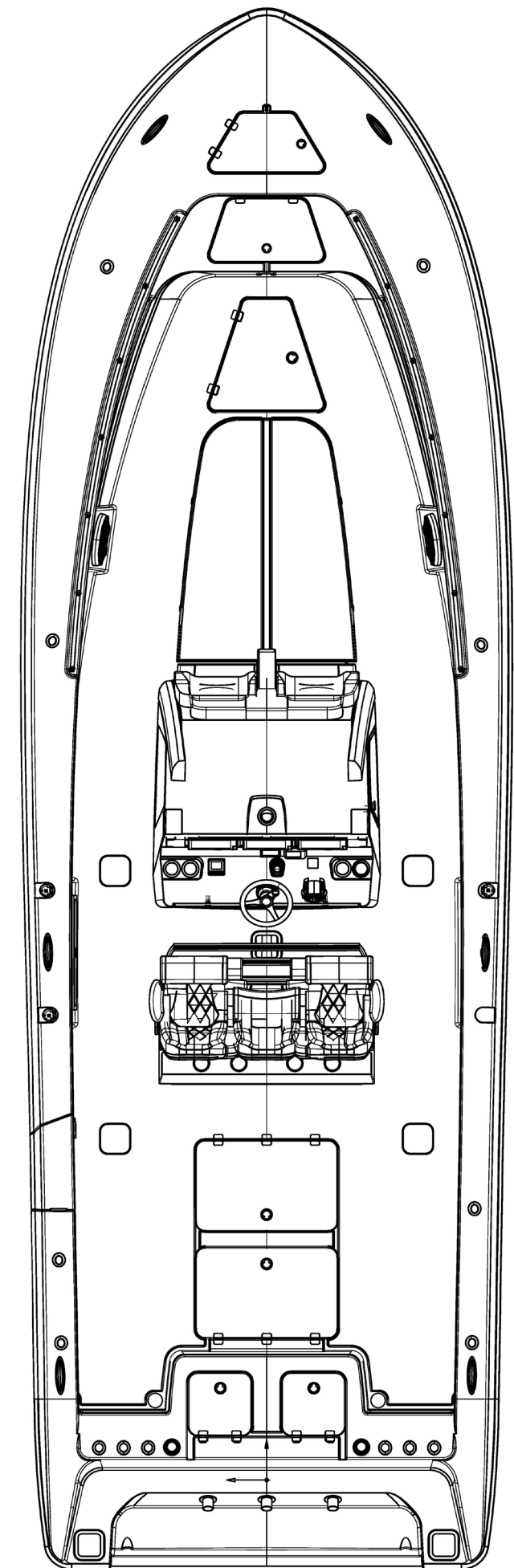


Young 34



Forward Seating

LENGTH (at center line)	34' 7"
BEAM	11'
DRAFT (loaded)	26"
DEADRISE (at transom)	24 DEGREES
DEADRISE (at bow entry)	60 DEGREES
WEIGHT (w/o engine)	11,300 LBS
FUEL CAPACITY	422 - 522 GAL
HP RANGE	900-1200HP
GUNWALE WIDTH	12"
COCKPIT SIZE	26' 7" X 9' 2"
COCKPIT DEPTH (freeboard at aft cockpit)	28"
COCKPIT DEPTH (freeboard at forward cockpit)	40"



Coffin Box